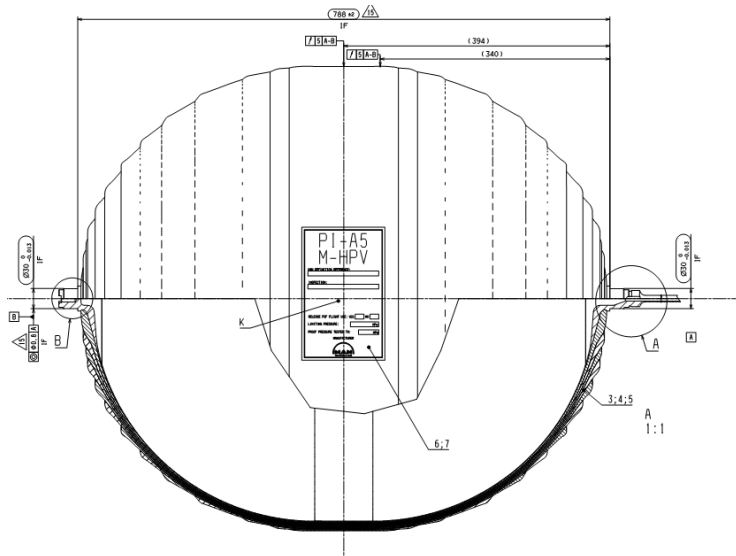


M-XTA / 180l

Xenon Tank / Helium



* Maximum Expected Operating Pressure

Heritage

Fluids	Helium	
Materials	Shell	Ti-6Al-4V
	Tube	Ti-3Al-2.5V
	Overwrapped	Epoxy-based CFRP / T800
Mounting interface	polar	

Total Volume	180 l	10.984 in ³
Temperature Range	max. +80 °C	max. +176 °F
Tank Dry Mass	35,0 kg	77,2 lbs
Diameter	660,0 mm	25,98 in
Length	660,0 mm	25,98 in
MEOP*	300,0 bar	4.351 psi
Proof pressure (x 1,50)	450,0 bar	6.527 psi
Burst pressure (x 2,00)	600,0 bar	8.702 psi
Burst pressure tested	bar	psi

