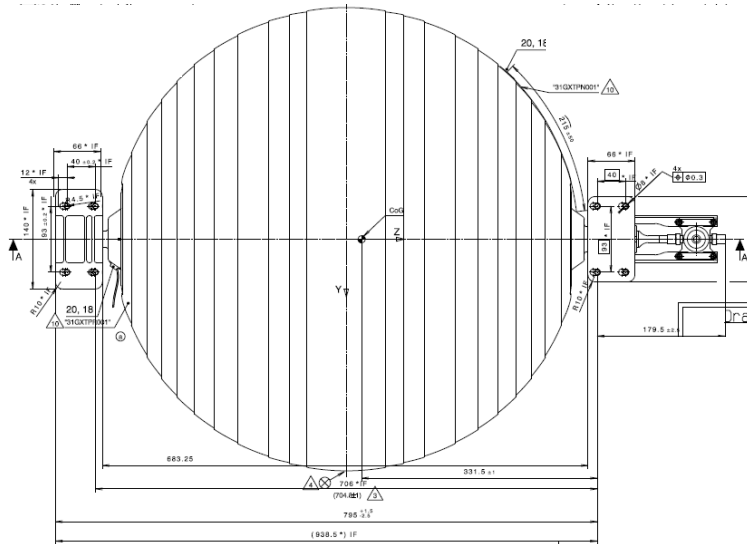
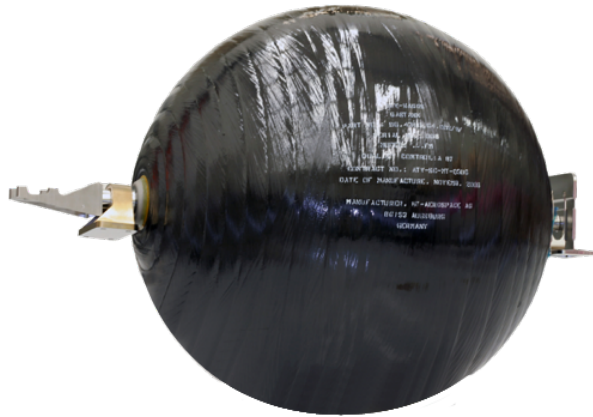


PVG-132

O₂, N₂, Air Storage Tank



Heritage	ATV	
Fluids	Oxygen, Nitrogen, Air	
Materials	Shell	Inconel 718
	Tube	Ti-3Al-2.5V
	Overwrapped	Epoxy-based CFRP / T800
Mounting interface	polar	

Total Volume	132 l	8.055 in ³
Temperature Range	mean +20 °C	mean +68 °F
Tank Dry Mass	34,0 kg	75,0 lbs
Diameter	660,0 mm	25,98 in
Length	660,0 mm	25,98 in
MEOP*	280,0 bar	4.061 psi
Proof pressure (x 1,50)	420,0 bar	6.092 psi
Burst pressure (x 2,00)	560,0 bar	8.122 psi
Burst pressure tested	bar	psi

* Maximum Expected Operating Pressure

