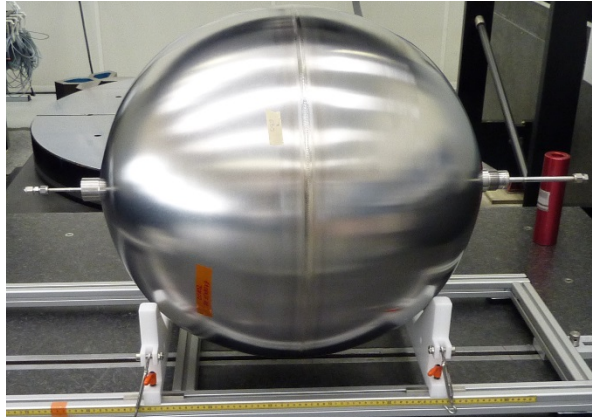


PTP-124

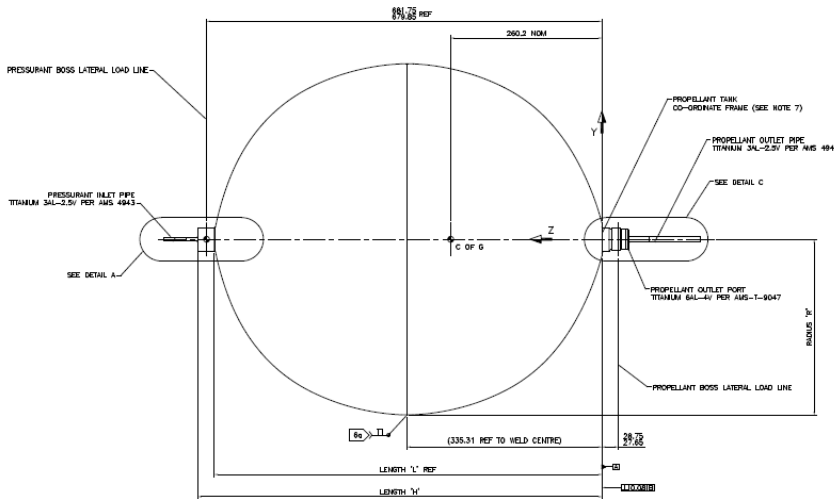
Bi-propellant PMD Tank – (Build-to-Print) Airbus Full Design Authority



Heritage

E3000, Bepi Colombo, Solar Orbiter

Fluids	MMH, MON	
Pressurant Gas	He	
Propellant Management	PMD	
Materials	Shell	Ti-6Al-4V
	Tube	Ti-3Al-2.5V
	PMD	Ti-6Al-4V
Mounting interface	polar	



* Maximum Expected Operating Pressure

Total Volume	124 l	7.628 in ³
Temperature Range	0 / +50 °C	+32 / +122 °F
Tank Dry Mass	9,8 kg	21,6 lbs
Diameter	605 mm	23,82 in
Length (mounting Interface)	695 mm	27,36 in
MEOP*	24,0 bar	348 psi
Proof pressure (x 1,50)	36,0 bar	522 psi
Burst pressure (x 2,00)	48,0 bar	696 psi
Burst pressure tested (20°C)	71,0 bar	1.030 psi

