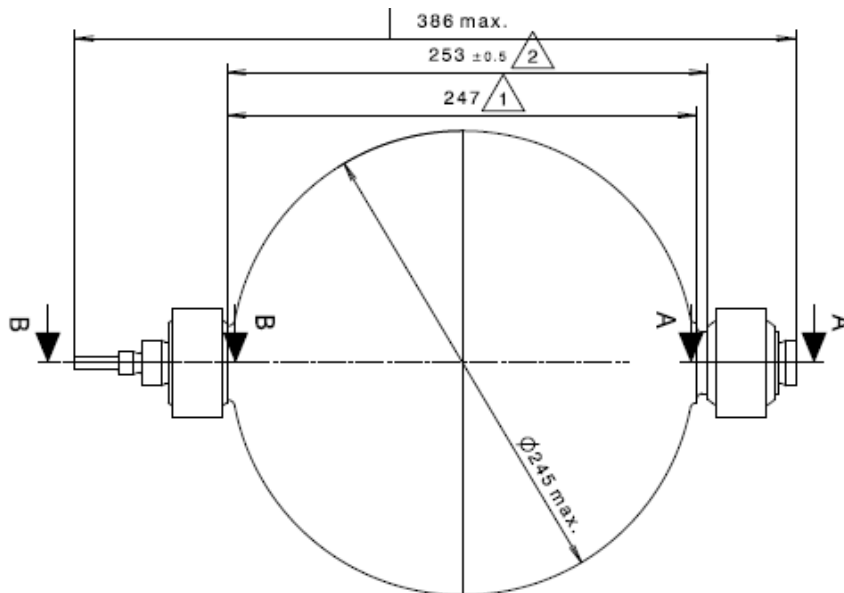
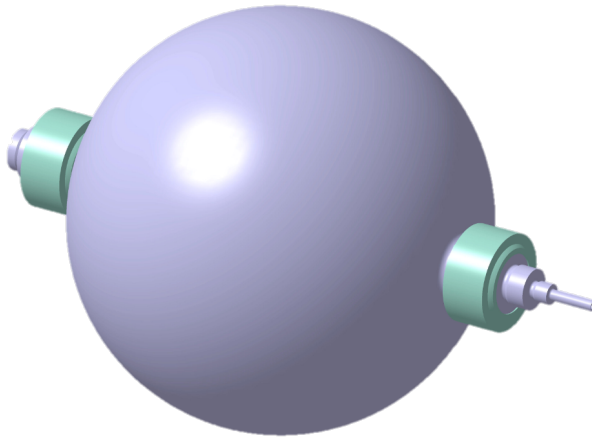


XS-XTA / 7l Xenon Tank



* Maximum Expected Operating Pressure

| | | |
|---------------------------|--------------|-------------|
| Heritage | | |
| Fluids | Xenon | |
| Materials | Shell | Ti-6Al-4V |
| | Tube | Ti-3Al-2.5V |
| Mounting interface | polar | |

| | | |
|-------------------------------|-------------|---------------------|
| Total Volume | 7 l | 427 in ³ |
| Temperature Range | up to 55 °C | up to 131 °F |
| Tank Dry Mass | 3,5 kg | 7,7 lbs |
| Diameter | 242 mm | 9,53 in |
| Length | 386 mm | 15,20 in |
| MEOP* | 150 bar | 2.176 psi |
| Proof pressure (x 1,5) | 225 bar | 3.263 psi |
| Burst pressure (x 3,0) | 450 bar | 6.527 psi |
| Burst pressure tested | n.a. | n.a. |

